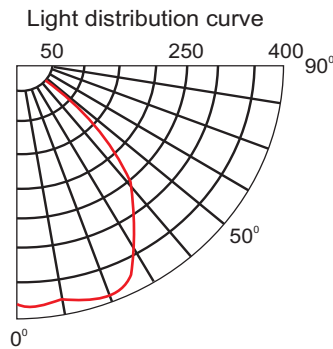
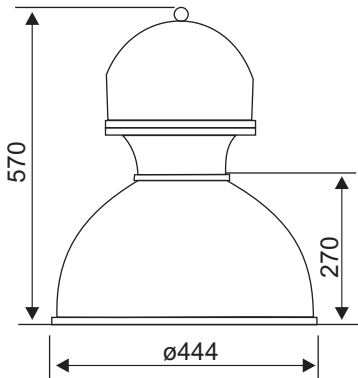


## Nereus

Fixture with matt finish reflector for medium / high height applications



### Characteristics / Material

Control gear housing made of aluminum die cast with surface painted with powder coating.

Reflectors : Made of high purity aluminum. Options available for matt finish sand blasted reflector. Shiny anodized reflector available on request.

The moderate size diameter of reflector provides perfect & wide light distribution with desired light level at medium height as well as high height applications.

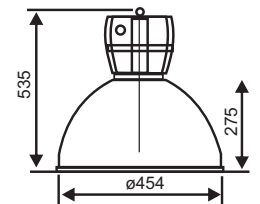
IP55 version is available on request with 5mm thick toughened glass and high quality silicon seal for wet & dusty environment.

The fixture is convertible into 250 watt / 400-watt options with Metal halide/ Mercury vapor lamp / SON-T lamp.

### Installation / Mounting

A range of suspension options to suit various applications such as pipe suspending installation or hook suspension are available. Control gear components mounted on a removable tray for easy maintenance.

All fixtures can be supplied with a pre-installed 3core 1mm<sup>2</sup> of 2m length cable.



### Specification

To specify state :

High Bay fixture with 455mm diameter aluminum reflector.

Fitted: Integral control gear for 250W / 400W Mercury vapor / Metal halide / SON-T discharge lamp.

IP rating: Control gear housing sealed to Ip65,

Sealed with glass version is IP55

Lamp Socket : E 40.

As Glitz Nereus

Lens & grid available at request



Glitz Code	Description	Lamp Socket	Weight without or with Glass
Nereus 250MH	Nereus High bay 250 Watt Metal Halide	E 40	11/13
Nereus 250SW	Nereus High bay 250 Watt SON-T	E 40	11/13
Nereus 250MV	Nereus High bay 250 Watt Mercury Vapour	E 40	11/13
Nereus 400MH	Nereus High bay 400 Watt Metal Halide	E 40	11/13
Nereus 400SW	Nereus High bay 400 Watt SON-T	E 40	11/13
Nereus 400MV	Nereus High bay 400 Watt Mercury Vapour	E 40	11/13