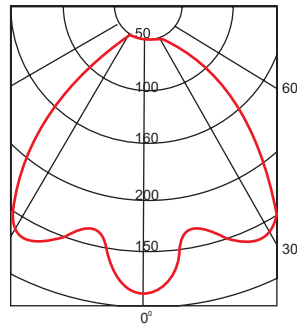
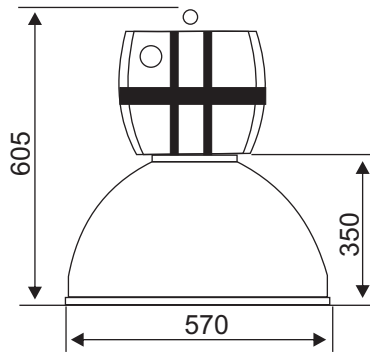


## Minerva

A durable high bay fixture offering performance, high-tech appearance & flexibility to suit most industrial and large commercial applications



### Characteristics / Material

Control gear housing made of aluminum die cast with surface painted with powder coating.

Reflectors: Made of prismatic polycarbonate or PMMA material with prismatic cover with anti-fog and dust proof property.

The fixture is convertible into 250 watt / 400-watt options with Metal halide/ Mercury vapour lamp / SON lamp.

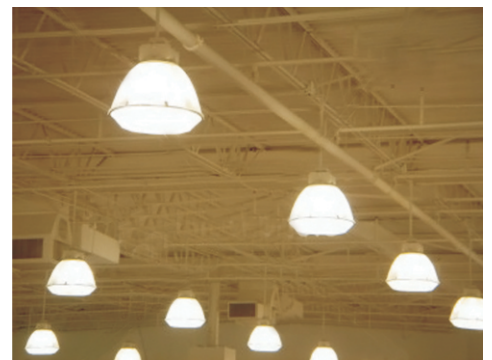
Over 20% upward irradiation light beams can reduce the shadow effectively, especially suitable for the light color ceiling, which make the space bright and spacious.

### Installation / Mounting

A range of suspension option to suit various applications such as pipe suspending, hook suspending or suction suspending are available, convenient disassembly, and wide range of use.

All fixtures are supplied with a pre-installed 3core 1mm<sup>2</sup> of 1.5m length cable.

Suitable for : Industrial, Indoor stadiums, commercial places, halls etc.



Lens available at request

### Specification

To specify state :

High Bay fixture with prismatic reflector.

Fitted: Integral control gear for 250W / 400W mercury vapour lamp or 250W / 400W Metal halide/SON-T discharge lamp.

Lamp Socket : E 40.

Control gearbox IP rating : IP 65

Fixture with bottom lens sealed to IP 55

As Glitz Minerva

Glitz Code	Description	Lamp Socket	Weight
Minerva 250MH	Minerva High bay 250 Watt Metal Halide	E 40	11
Minerva 250SW	Minerva High bay 250 Watt SON-T	E 40	11
Minerva 250MV	Minerva High bay 250 Watt Mercury Vapour	E 40	11
Minerva 400MH	Minerva High bay 400 Watt Metal Halide	E 40	11
Minerva 400SW	Minerva High bay 400 Watt SON-T	E 40	11
Minerva 400MV	Minerva High bay 400 Watt Mercury Vapour	E 40	11