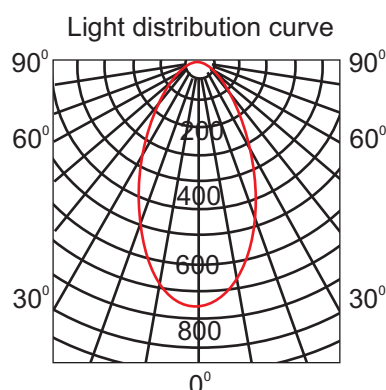
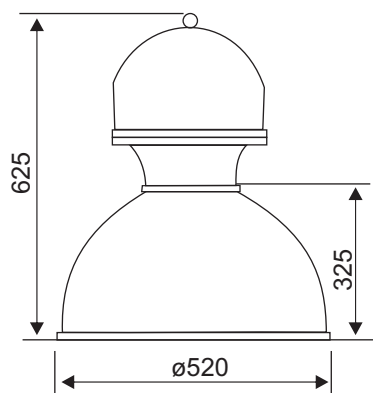


High bay & Low bay Lights

Luna

A thriving fixture with wide reflector combined with option of HID lamps as per application



Characteristics / Material

Control gear housing made of aluminum die cast with surface painted with powder coating.

Reflectors h: Made of high purity aluminum. Options available for matt finish sand blasted reflector or shiny anodized reflector for high reflectance.

A wide size reflector ideal for wider light distribution.

IP55 version is available on request with 5mm thick toughened glass and high quality silicon seal for wet & dusty environments.

Web guard attachment is also available for special applications.

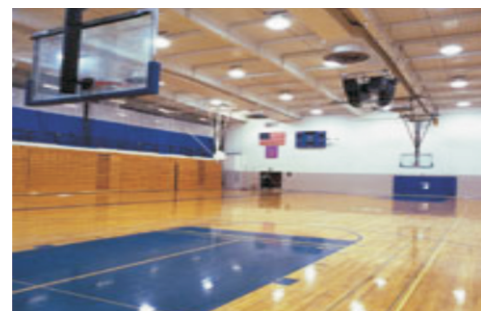
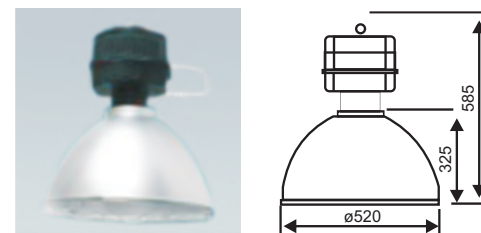
The fixture is convertible into 250 watt / 400-watt options with Metal halide/ Mercury vapour lamp / SON-T lamp.

Installation / Mounting

A range of suspension options to suit various applications such as pipe suspending installation or hook suspension are available. Control gear components mounted on a removable tray for easy maintenance.

All fixtures can be supplied with a pre-installed 3-core 1mm² of 2m length cable.

Suitable for : Industrial, Indoor stadiums, commercial places, halls etc.



Specification

To specify state :

High Bay fixture with 520mm diameter aluminum reflector.

Fitted : Integral control gear for 250W / 400W Mercury vapour / Metal halide / SON-T discharge lamp.

Lamp Socket : E 40.

As Glitz Luna

Lens & grid available at request

Glitz Code	Description	Lamp Socket	Weight without or with Glass
Luna 250MH	Luna High bay 250 Watt Metal Halide	E 40	11/13
Luna 250SW	Luna High bay 250 Watt SON-T	E 40	11/13
Luna 250MV	Luna High bay 250 Watt Mercury Vapour	E 40	11/13
Luna 400MH	Luna High bay 400 Watt Metal Halide	E 40	11/13
Luna 400SW	Luna High bay 400 Watt SON-T	E 40	11/13
Luna 400MV	Luna High bay 400 Watt Mercury Vapour	E 40	11/13