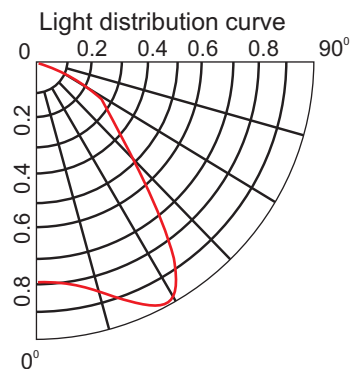
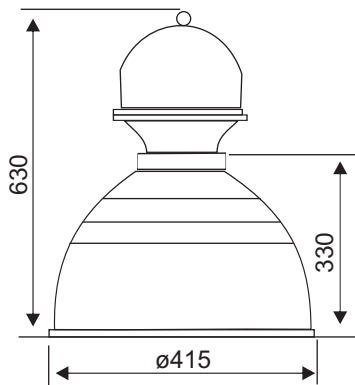


# High bay & Low bay Lights

## Iris

A traditional and robust design of high bay luminaire combined with options of HID lamps



### Characteristics / Material

Control gear housing made of aluminum die cast with surface painted with powder coating.

Reflectors : Made of high purity aluminum. Options available for matt finish sand blasted reflector or shiny anodized reflector for high reflectance. Wider size of reflector improves light distribution.

IP55 version is available on request with toughened glass and high quality silicon seal for wet & dusty environment.

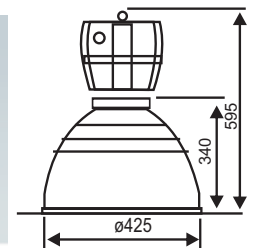
The fixture is convertible into 250 watt / 400-watt options with Metal halide/ Mercury vapour lamp / SON lamp.

### Installation / Mounting

A range of suspension options to suit various applications such as pipe suspending installation or hook suspension are available. Control gear components mounted on a removable tray for easy maintenance.

All fixtures can be supplied with a pre-installed 3core 1mm<sup>2</sup> of 2m length cable.

Suitable for : Industrial, Indoor stadiums, commercial places, halls etc.



### Specification

To specify state :

High Bay fixture with aluminum reflector

Fitted: Integral control gear for 250W / 400W Mercury vapour / Metal halide / SON-T discharge lamp.

Fixture IP rating : Control gearbox IP 65,

Fixture sealed with glass IP 55.

Fixture with Lamp Socket: E 40.

As Glitz Iris

Lens & grid available at request



Glitz Code	Description	Lamp Socket	Weight without or with Glass
Iris 250MH	Iris High bay 250 Watt Metal Halide	E 40	11/13
Iris 250SW	Iris High bay 250 Watt SON-T	E 40	11/13
Iris 250MV	Iris High bay 250 Watt Mercury Vapour	E 40	11/13
Iris 400MH	Iris High bay 400 Watt Metal Halide	E 40	11/13
Iris 400SW	Iris High bay 400 Watt SON-T	E 40	11/13
Iris 400MV	Iris High bay 400 Watt Mercury Vapour	E 40	11/13