

# Evander XL

A range of high wattage tungsten halogen floodlights for outdoor application

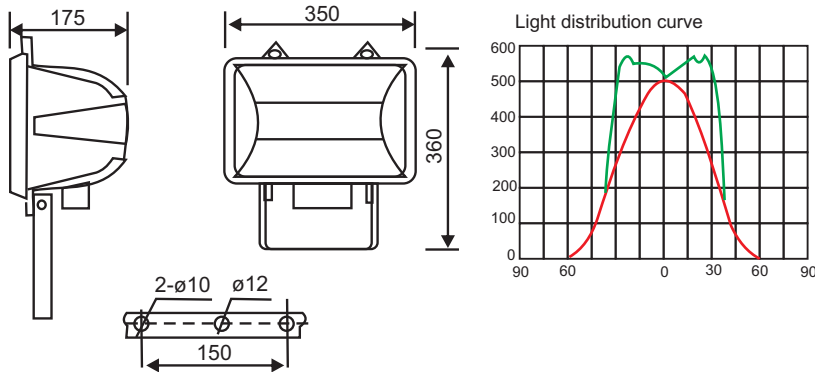


## Characteristics / Material

Body made of pressure die-cast aluminum with black powder coated surface.  
 4mm heat resistance-toughened glass fitted with silicone gasket.  
 High purity aluminum reflector, with the dimpled texture and anodize finish.

## Installation / Mounting

Fully adjustable mounting stirrup (A support for rider's foot, hanging from the saddle)  
 Cable gland in wiring box is suitable for  $\varnothing$  8-12mm circular section cable.  
 Wiring box is at the back of the fixture with three way terminal block and fitted earth wire.  
 Hinged front glass is for easy access for the purpose of maintenance.



## Specification

To specify state :  
 Lamp holder : Rx7s in ceramic & silver-plated contacts.  
 IP Rating : IP 55  
 As Glitz Evander XL



Glitz Code	Description	Lamp Socket	Weight
Evander XL 1000HL	Evander XL Flood 1000 Watt Tungsten Halogen	Rx7s	3
Evander XL 1500HL	Evander XL Flood 1500 Watt Tungsten Halogen	Rx7s	3