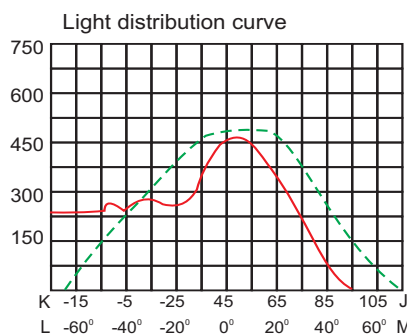
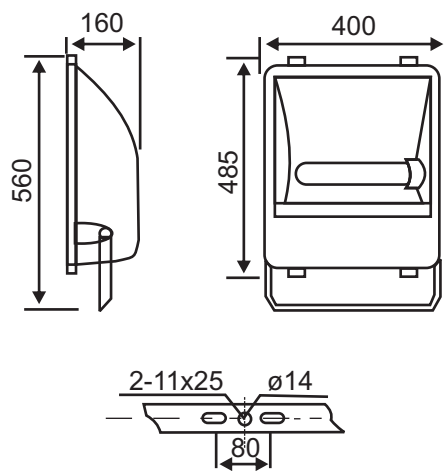


Erato XL

A high performance range of discharge Flood light with option of 250W or 400 W



Characteristics / Material

Housing and frame made of aluminum alloy with pressure die casting to form light and solid structure . Fixture surface have been process by corrosion proof electrostatic coating to give better life in all enjoiments.

High quality asymmetric aluminum reflector, through the anodic treatment, greatly increases the utilization ratio of the light beam.

The flat 5mm armored safety glass, with the good shock resistance and high light transmittance.

Easy installation with drop down front glass with four steel screws for easy maintenance access

Stirrup : Mild steel finished with electrostatic powder coated.

Installation / Mounting

Entry is via 1 cable gland for 10mm to12mm o/d 3-core cable.

Three pole terminal block: For up to 2.5mm² with earth wire fixation.

Fully adjustable from stirrup to fix in 0° to 180°.

The junction plane of the mounting base and frame is seal by the high temperature resistant rubber gland strip, which can prevent rain and dusts.



Specification

To specify state :
 Integral control gear fit at bottom of fixture for 250W / 400W metal halide lamp with choice of SON-T 250 W /400W lamp
 Lamp socket : E 40.
 Fixture IP rating : IP 65.
 As Glitz Erato XL

Glitz Code	Description	Lamp Socket	Weight
Erato XL 250MH	Erato XL Flood 250 Watt Metal Halide	E 40	14
Erato XL 250SW	Erato XL Flood 250 Watt SON-T	E 40	14
Erato XL 400MH	Erato XL Flood 400 Watt Metal Halide	E 40	14
Erato XL 400SW	Erato XL Flood 400 Watt SON-T	E 40	14