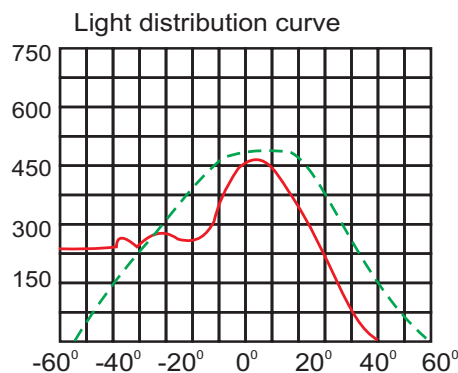
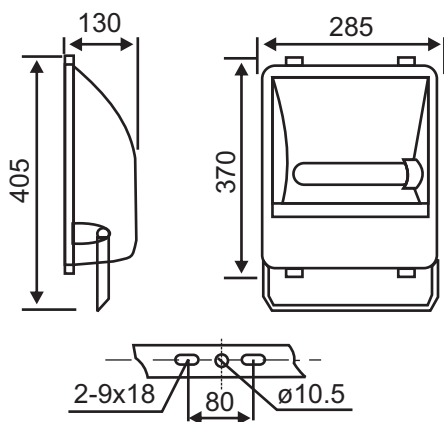


# Flood Lights



## Erato M

A range of compact high performance Flood light with option of 70 or 150 W Discharge lamp



### Characteristics / Material

Housing and frame made of aluminum alloy with pressure die casting to form light and solid structure. Fixture surface is processed by corrosion proof electrostatic coating to give better life in all environments.

High quality asymmetric aluminum reflector, through the anodic treatment, greatly increases the utilization ratio of the light beam.

The flat 5mm armored safety glass, with the good shock resistance and high light transmittance.

Easy installation with drop down front glass with four steel screws for easy maintenance access.

Stirrup : Mild steel finished with electrostatic powder coated.

### Installation / Mounting

Entry is via 1 cable gland for 9mm to 11mm o/d 3-core cable.

Three pole terminal block: For up to 2.5mm<sup>2</sup> with earth wire fixation.

Fully adjustable from stirrup to fix in 0° to 180°.

The junction plane of the mounting base and frame is seal by the high temperature resistant rubber gland strip, which can prevent rain and dusts.



### Specification

To specify state :  
 Integral control gear fit at bottom of fixture for 70W / 150W metal halide lamp with choice of SON 70 W / 150W lamp  
 Lamp socket : E 27 / Rx7s.  
 Fixture sealed to IP 65.  
 As Glitz Erato M

Glitz Code	Description	Lamp Socket	Weight
Erato M 70MH	Erato M Flood 70 Watt Metal Halide	E 27/Rx7s	12
Erato M 70SW	Erato M Flood 70 Watt SON	E 27	12
Erato M 150MH	Erato M Flood 150 Watt Metal Halide	E 27/Rx7s	12
Erato M 150SW	Erato M Flood 150 Watt SON	E 27	12