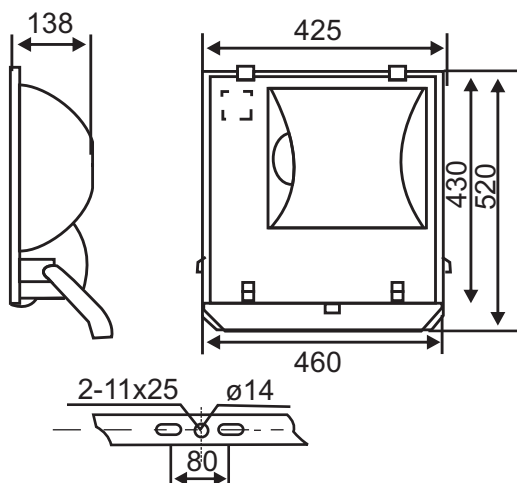


## Czar XL

Design for large area lighting including, sport area, building facades, squares, signage



### Characteristics / Material

High-pressure aluminum alloy die casting housing and frame, with light and solid structure. Fixture surface have been processed by corrosion proof electrostatic coating to give better life in humid atmospheres.

High quality aluminum reflector, through the anodic treatment, greatly increases the utilization ratio of the light beam.

The high quality flat toughened safety glass provides good shock resistance and high light transmittance.

Stainless steel clips to provide perfect protection against dust & rain and easy for maintenance

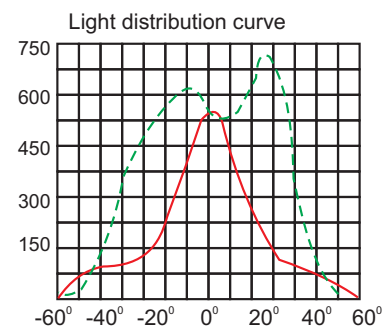
Stirrup: Hot-dipped galvanized steel

### Installation / Mounting

Entry is via 1 cable gland for 9mm to 11mm o/d 3-core cable.

Three pole terminal block: For up to 2.5mm<sup>2</sup> with earth wire fixation.

The junction plane of the mounting base and frame is seal by the high temperature resistant rubber gland strip, which can prevent rain and dusts.



### Specification

To specify state :  
 Integral control gear fit at bottom of fixture for 250W / 400W Metal halide / SON-T lamp.  
 Lamp socket : E 40.  
 Fixture sealed to IP 65.  
 As Glitz Czar XL



Glitz Code	Description	Lamp Socket	Weight
Czar XL 250MH	Czar XL Flood 250 Watt Metal Halide	E 40	14
Czar XL 250SW	Czar XL Flood 250 Watt SON-T	E 40	14
Czar XL 400MH	Czar XL Flood 400 Watt Metal Halide	E 40	14
Czar XL 400SW	Czar XL Flood 400 Watt SON-T	E 40	14