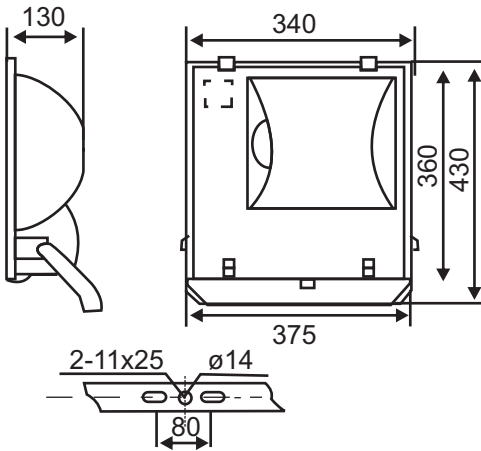


Flood Lights



Czar M

Suitable for general area lighting includes open industrial, storage area, car parks, building facades and signage



Specification

To specify state :
 Integral control gear fit at bottom of fixture for 70W / 150W Metal halide lamp / Sodium vapour Lamp.
 Lamp socket : E 27.
 Fixture sealed to IP 65.
 As Glitz Czar M

Characteristics / Material

High-pressure aluminum alloy die casting housing and frame, with light and solid structure. Fixture surface have been process by corrosion proof electrostatic coating to give better life in humid atmospheres.

High quality asymmetrical aluminum reflector, through the anodic treatment, greatly increases the utilization ratio of the light beam.

The flat toughened safety glass, with the good shock resistance and high light transmittance.

Stainless steel clips to provide perfect protection against dust & rain and easy for maintenance.

Stirrup : Hot-dipped galvanized steel

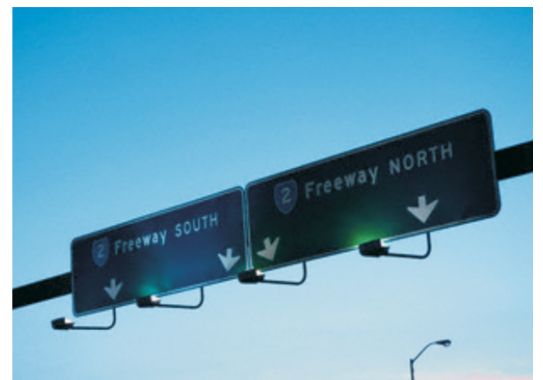
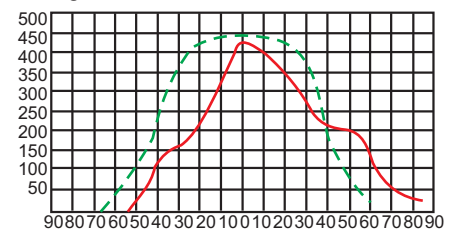
Installation / Mounting

Entry is via 1 cable gland for 9mm to 11mm o/d 3-core cable.

Three pole terminal block: For up to 2.5mm² with earth wire fixation.

The junction plane of the mounting base and frame is seal by the high temperature resistant rubber gland strip, which can prevent rain and dusts.

Light distribution curve



Glitz Code	Description	Lamp Socket	Weight
Czar M 70MH	Czar M Flood 70 Watt Metal Halide	E 27	12
Czar M 150MH	Czar M Flood 150 Watt Metal Halide	E 27	12
Czar M 70SW	Czar M Flood 70 Watt Sodium Vapour	E 27	12
Czar M 150SW	Czar M Flood 150 Watt Sodium Vapour	E 27	12