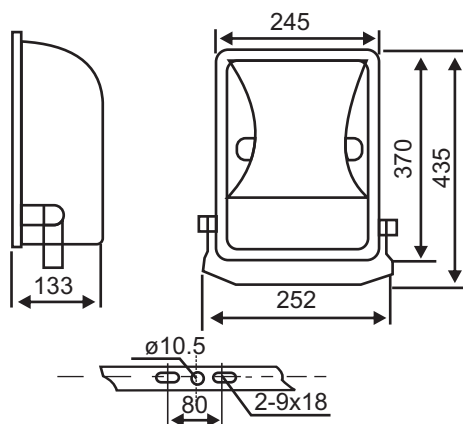


## Cona

A robust discharge Floodlight for general area illumination with 70w / 150w metal halide lamps



### Specification

To specify state :  
 Integral control gear fit at back of fixture for 70W / 150W metal halide lamp.  
 Lamp socket : Rx7s.  
 IP Rating : IP 65.  
 As Glitz Cona

### Characteristics / Material

High-pressure aluminum die-casting housing and frame, with light and solid structure. Fixture surface have been process by corrosion proof electrostatic coating to give better life in humid environment.

Integrated light fixture and control gear, novel design, beautiful structure, firm and durable.

Lamp options are available for 70 watt & 150 watt Metal halide.

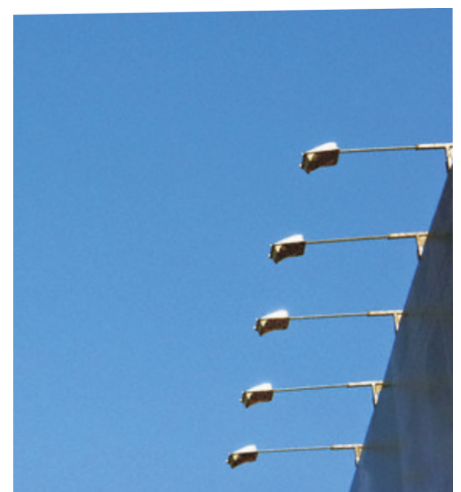
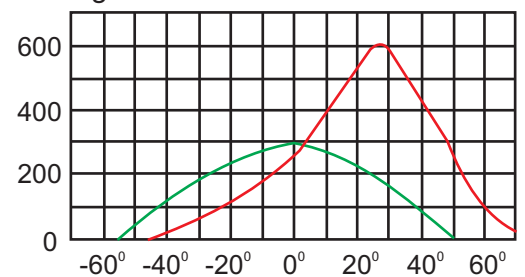
5mm thick toughen glass with heat proof silicon seal washer, with good sealing property IP65. The frame hinged at one side with four removable bolts at all sides for easy maintenance.

### Installation / Mounting

Glass frame fitted with four bolts.  
 3-pole terminal block for up to 2.5mm Ø with earth wire fixation.

Suitable for : Play grounds, billboards, signboards, squares, car parks, building sites etc

Light distribution curve



Glitz Code	Description	Lamp Socket	Weight
Cona 70MH	Cona Flood 70 Watt Metal Halide	Rx7s	11
Cona 150MH	Cona Flood 150 Watt Metal Halide	Rx7s	11