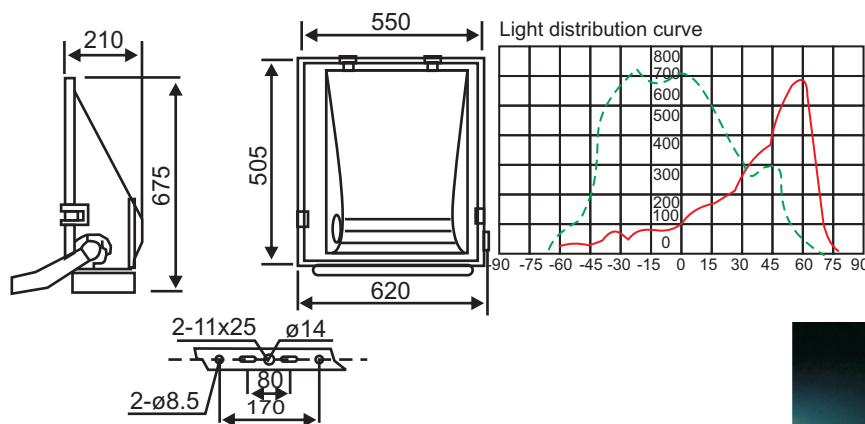


Ambassador

An asymmetric 'flat glass' discharge floodlight designed for the lighting of large areas



Characteristics / Material

Housing made of high-pressure aluminum alloy die-casting. Fixture surface have been processed by corrosion proof electrostatic coating to give better life in different environment. High quality asymmetric aluminum reflector, through the anodic treatment, greatly increases the utilization ratio of the light beam. The high quality 5mm flat toughened safety glass provides good shock resistance and high light transmittance. Stainless steel clips to provide perfect protection against dust & rain and easy for maintenance. Stirrup : Hot-dipped galvanized steel

Installation / Mounting

Entry is via 1 cable gland for 9mm to 11mm o/d 3-core cable. Three-pole terminal block : For up to 10mm² with earth wire fixation. Integral control gear at bottom of reflector in separate box for easy access. Suitable for : Play grounds, billboards, signboards, squares, car parks, building sites etc

Specification

To specify state :
 Choice of lamps source give flexibility in lumen package, Ra index & color temperature.
 Socket type : E 40 for 2 x 400W / 1 x 1000W lamp metal halide or SON – T lamps.
 Fixture sealed to IP 65.
 As Glitz Ambassador



Glitz Code	Description	Lamp Socket	Weight
Ambassador 400MH	Ambassador Flood 400 Watt Metal Halide twin	E 40	26
Ambassador 400SW	Ambassador Flood 400 Watt SON-T twin	E 40	26
Ambassador 1000MH	Ambassador Flood 1000 Watt Metal Halide	E 40	22
Ambassador 1000SW	Ambassador Flood 1000 Watt SON-T	E 40	22