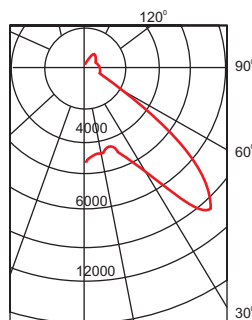
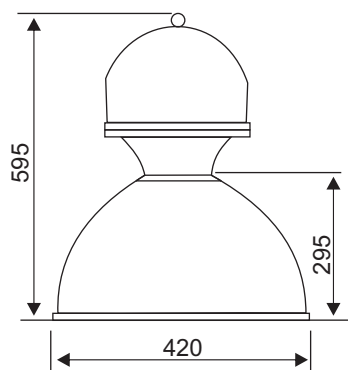


High bay & Low bay Lights



Alton

An efficient and most popular high bay with prismatic reflector for industrial and large commercial applications



Specification

To specify state :
 High Bay fixture with prismatic reflector.
 Fitted: Integral control gear for 250W / 400W Mercury vapour / Metal halide / SON-T discharge lamp.
 Control gearbox IP rating : IP 65
 Lamp Socket : E 40.
 As Glitz Alton

Characteristics / Material

Control gear housing made of aluminum die cast with surface painted with powder coating.

Reflectors : Made of UV stabilized acrylic / poly-carbonate, produces less glare, improves light uniformity. The best way to achieve pleasant visual environment without decreasing luminance.

Prismatic poly-carbonate reflector with reflective efficacy of more than 90%. Upward radiation light beams can reduce shadow effectively, specially suitable for light color ceiling, which make the space bright and spacious.

The fixture is convertible into 250 watt / 400-watt options with Metal halide/ Mercury vapour lamp / SON lamp.

Installation / Mounting

A range of suspension options to suit various applications such as pipe suspending installation or hook suspension are available. Control gear components mounted on a removable tray for easy maintenance.

All fixtures can be supplied with a pre-installed 3core 1mm² of 2m-length cable.

Suitable for: Industrial, Indoor stadiums, commercial places, halls etc.



Lens available at request

Glitz Code	Description	Lamp Socket	Weight
Alton 250MH	Alton High bay 250 Watt Metal Halide	E 40	10
Alton 250SW	Alton High bay 250 Watt SON-T	E 40	10
Alton 250MV	Alton High bay 250 Watt Mercury Vapour	E 40	10
Alton 400MH	Alton High bay 400 Watt Metal Halide	E 40	10
Alton 400SW	Alton High bay 400 Watt SON-T	E 40	10
Alton 400MV	Alton High bay 400 Watt Mercury Vapour	E 40	10