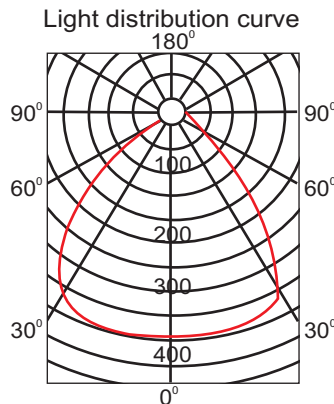
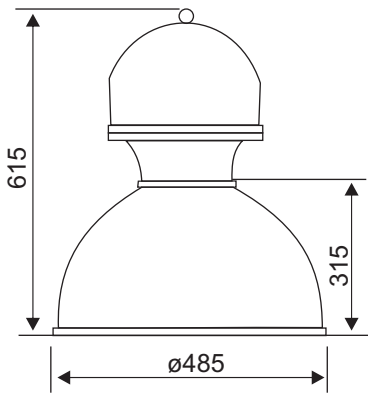


Aisne

Fixture with ideal size diameter reflector for high height applications



Characteristics / Material

Control gear housing made of aluminum die cast with surface painted with powder coating.

Reflectors : Made of high purity aluminum. Options available for matt finish sand blasted reflector or shiny anodized reflector for high reflectance.

The wide diameter of reflector provides perfect & wide light distribution with desired light level at high height applications. Ideal fixture for lighting ware houses and factory buildings.

IP55 version is available on request with 5mm thick toughened glass and high quality silicon seal for wet & dusty environments.

The fixture is convertible into 250 watt / 400-watt options with Metal halide/ Mercury vapor lamp / SON lamp.

Installation / Mounting

A range of suspension options to suit various applications such as pipe suspending installation or hook suspension are available. Control gear components mounted on a removable tray for easy maintenance.

All fixtures can be supplied with a pre-installed 3core 1mm² of 2m length cable.

Specification

To specify state :

High Bay fixture with 485mm diameter aluminum reflector.

Fitted: Integral control gear for 250W / 400W Mercury vapor / Metal halide / SON-T discharge lamp.

IP rating : Control gear housing sealed to IP65.

Sealed with glass version is IP55

Lamp Socket : E 40.

As Glitz Aisne

Lens & grid available at request



Glitz Code	Description	Lamp Socket	Weight without or with Glass
Aisne 250MH	Aisne High bay 250 Watt Metal Halide	E 40	10/11
Aisne 250SW	Aisne High bay 250 Watt SON-T	E 40	10/11
Aisne 250MV	Aisne High bay 250 Watt Mercury Vapour	E 40	10/11
Aisne 400MH	Aisne High bay 400 Watt Metal Halide	E 40	10/11
Aisne 400SW	Aisne High bay 400 Watt SON-T	E 40	10/11
Aisne 400MV	Aisne High bay 400 Watt Mercury Vapour	E 40	10/11